



**GLOBAL TRACK RECESSED**

LED_Spot&track light family	-	-	-	-	-	-	-			
-----------------------------	---	---	---	---	---	---	---	---	---	--

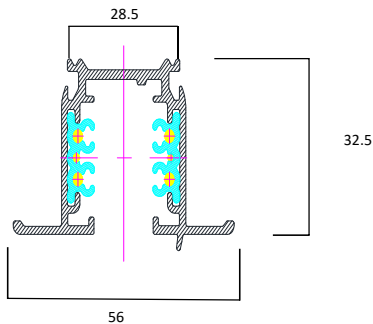
**THE FAMILY OF RECESSED TRIM GLOBAL TRACK .**

**Technical description**

Long track. black, white and gray base support, support section designed as load-bearing mounting unit in suspended ceiling. Made of aluminum extrusion. dimensions: 1000 x 56 x 32.5 mm (We can produce different lengths), weight: 0.95 kg weight: 0.95 kg . For 3 phase 400V ac supply: max. Installed load 1 x 3680W, 1x16A fuse, power lead: min. 7x1.5mm² (including DALI).



Dimensions: 3000 x 56 x 32.5 mm  
 Max voltage: 400V, 50-60Hz  
 Total power: 3680 W  
 Weight: 2.85 kg



**Mounting and installation**

Ceiling or wall-recessed. Direct and corner joints are available. Free standing recessed and fix with screw.

options:

