


Linear Family IP44 IK05   $T_a 25$    

THE FAMILY OF RECESSED MOUNT (CEILING & WALL) BACK LIGHT LED LINEAR OPERATING AT 30W/M
220-240 VAC INPUT. DELIVERING OUT STANDING PERFORMANCE OF 3000LM/M.

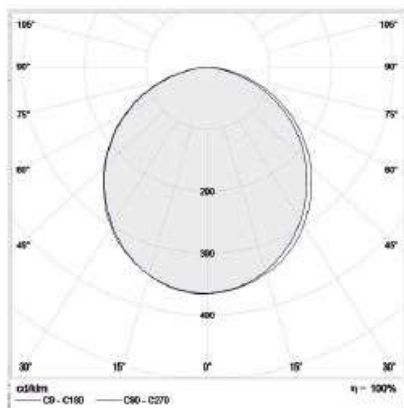
Technical description

Recessed linear system of large dimensions and IP light, suitable for general light, PC diffuser, which provide a continues and homogeneous light line. Color temperature is 3000-6000 K .Class I electrical and IP44 (IP54 just for option), with plug and play connector. Total power: 30 w/m (slave Luminaires for DALI control an option only with LED converter). Color rendering index: $a > 80$. Chromaticity tolerance between multiple luminaires of up to 3 Macadam ellipses. product can be produced in 60, 120 , 160, 180 and 220 mm.

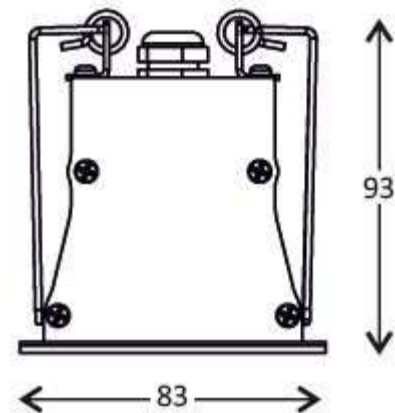


Application

- Office
- Bank
- Hospitality
- House



Correlated color temperature: 3000 – 6000 kelvin
Rated median useful life: 50000h L70 at 25°C Luminaire
input power: 30 w



Dimensions: 1000 x 83 x 93 mm
Total power: 30 w
Luminaire luminous flux: 3000 lm
Luminaire efficacy: 100 lm/w
Weight: 1.6 kg

Mounting and installation

Recessed (ceiling and wall) using spring bracket. **Cut-out diameters: 74 mm**