

SEPEHR DOT

Linear Family IP20 IK05   $T_a 25$    

THE FAMILY OF RECESSED MOUNT (CEILING & WALL) BACK LIGHT LED LINEAR OPERATING AT 18w 220-240 VAC INPUT. DELIVERING OUT STANDING PERFORMANCE OF 1800LM/M.

Technical description

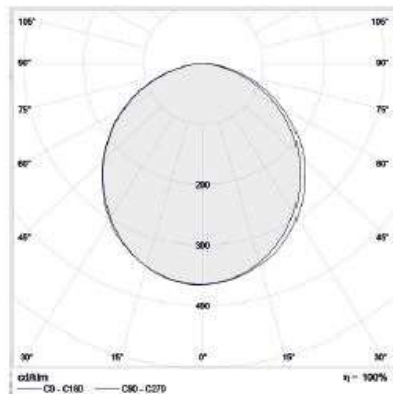
Recessed linear system of small dimensions, suitable both for decorative lighting and for general light, made of an aluminum and a PC diffuser (or PMMA diffuser), which provide a continuous and homogeneous light line. Color temperature is 3000-6000 K . Class I electrical and IP20 (IP54 just for option), with plug and play connector. Total power: 18 w (slave Luminaires for DALI control an option only with LED converter). Color rendering index: $a > 80$. Chromaticity tolerance between multiple luminaires of up to 3 Macadam ellipses.

product can be produced in 270, 400 , 530 and 800 mm.

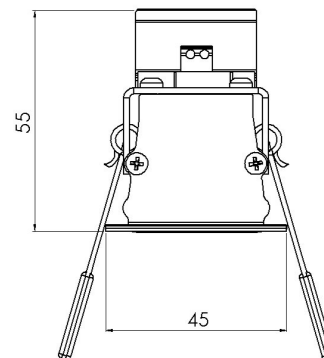


Application

- Office
- Bank
- Hospitality
- House



Correlated color temperature: 3000 – 6000 kelvin
Rated median useful life: 50000h L70 at 25°C Luminaire
input power: 18 w



Dimensions: 45 x 55 x 400 mm (270,530,800 mm)
Total power: 18 w (12,24,36w)
Luminaire luminous flux: 1800 lm
Luminaire efficacy: 100 lm/w
Weight: 0.4 kg

Mounting and installation

Recessed (ceiling and wall) using spring bracket. **Cut-out diameters: 35 mm**