

LED_decorative family

IP20

IK03



T_a25



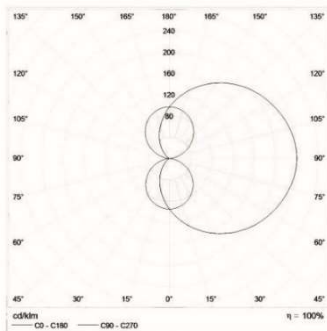
THE FAMILY OF ARCHITECTURAL DECORATIVE LED STAND LIGHTS OPERATING AT 15W 220AC INPUT DELIVERING OUTSTANDING PERFORMANCE OF 1650LM.

Technical description

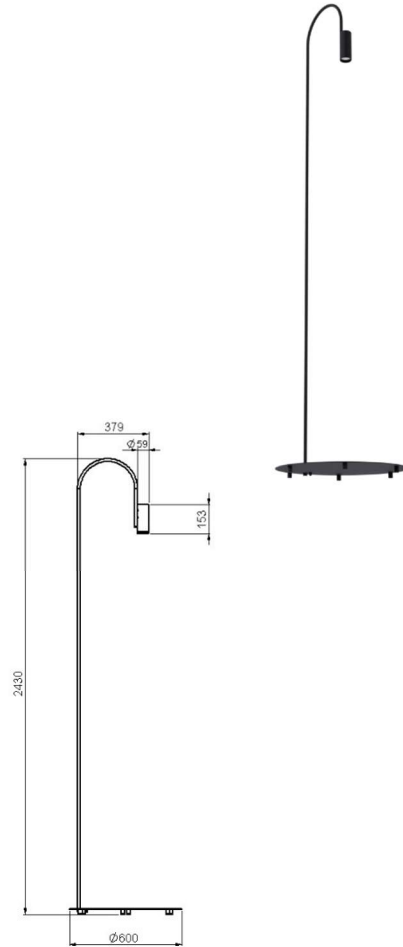
Luminaire was designed to be used as a decorative stand light to illuminate an area where a luxury atmosphere is desired. The body material is iron pipe and stand for consistency. The sleek and classic design of this direct stand light is complemented by its advanced functionality. In addition, you can change the color temperature of the light from a calming warm white to an invigorating day light/neutral tone. Its unique design makes for a great conversation piece while enhancing any kind of traditional, urban, contemporary, or minimalist decor.

Application

- Hotel
- Home
- Office



Correlated color temperature: 3000-6000 kelvin
Rated median useful life: 50000h L70 at 25°C
Luminaire input power: 15 w



Dimensions: 379 x 2430 mm
Total power: 15 w
Luminaire luminous flux: 1650 lm
Luminaire efficacy: 110 lm/w
Weight: 5 kg

Installation and Mounting

The possibility of placing the lamp in a standing position.