

MAGNETAR RECESSED TRACK 2CM

LED_Low voltage family



Technical description

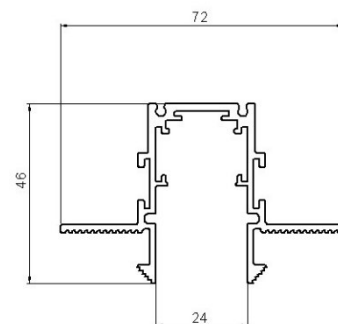
48V low voltage magnetic track for recessed applications with no contact frame (trim less). Designed to house lighting elements fitted with a 48V adaptor. Made of anodized extruded aluminum, and body color is black. It includes a series of assembly plates designed to allow profiles to be installed in false ceilings with 12.5 mm thicknesses. The integrated circuit, designed to interact with the AC/DC driver included in the adapters (drivers to be ordered separately). Metal bus bar to set spot and linear magnet linear. To obtain continuous lines, direct and corner joints are available with separate codes. 4 kg (max) load every 1000 mm, with maximum distance of 200 mm between fixing points. This rail can be produced in unlimited lengths and different shapes as well Direct and corner joints are available. This rail is the base for installing all kinds of magnetic family lights such as spotlights, pendant light, tube light and (DALI dimming just for options).

This product can be produced in different lengths.



Application

- Decorative
- Art gallery
- Hotel
- Office
- House



Dimensions: 4000 x 72 x 46 mm

Max voltage: 48 V, 10 A

Max wattage: 200 W

Weight: 4 kg

Mounting and installation

Ceiling or wall-recessed. Direct and corner joints are available. Free standing recessed and fix with screw

Cut-out diameters: 37 mm