

# MAGNETAR ANGLE LINEAR

LED\_Low voltage family IP20 IK05



T<sub>a</sub>25



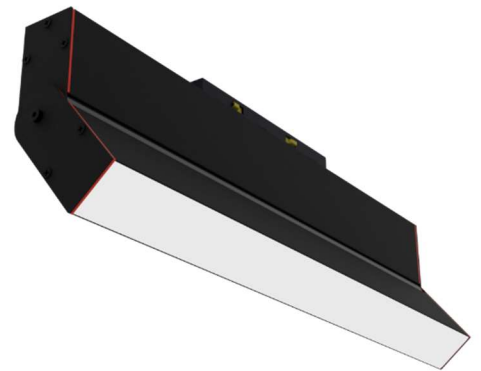
**THE FAMILY OF MAGNETAR ANGLE LINEAR LED OPERATING AT 12W, 48 VDC INPUT. DELIVERING OUT STANDING PERFORMANCE OF 1200LM.**

## Technical description

Magnetic track angle linear luminaire makes an impact with their streamlined design and generate base lighting that illuminates objects and rooms especially evenly. Body material is extruded aluminum and diffuser is polycarbonate. This light can be rotated 60 degrees.

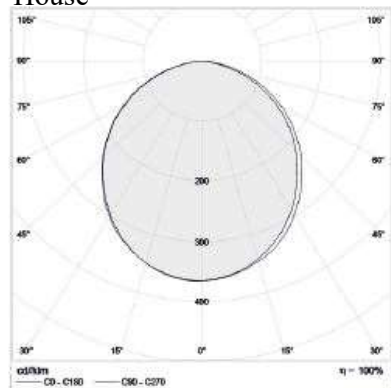
Body material is extruded aluminum and diffuser is UGR<19 and beam angle is 42°. Quick installation system on the track using magnets. Class I electrical, IP20 (IP44 only for option). Total power: 12 w. (DALI control an option only). LED color temperature is 3000-6000 kelvin. Chromaticity tolerance (initial Macadam: 3). Color rendering Ra>80.

This product can be produced in 400 & 600 & 800 & 1000mm.

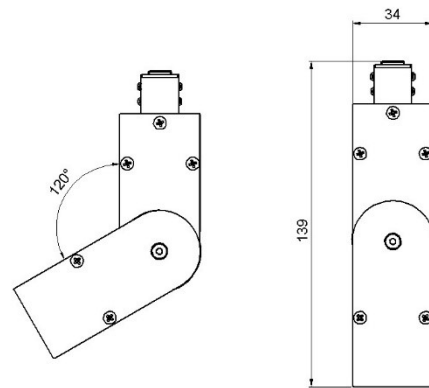


## Application

- Decorative
- Art gallery
- Hotel
- Office
- House



Correlated color temperature: 3000 – 6000 kelvin  
Rated median useful life: 50000h L70 at 25°C Luminaire  
input power: 12 w



Dimensions: 34 x 139 x 400 mm (600 , 800 , 1000 mm)  
Total power: 12 w (18 , 24 , 30 w)  
Luminaire luminous flux: 1200 lm (1800 , 2400 , 3000lm)  
Luminaire efficacy: 100 lm/w  
Weight: 0.7 kg

## Mounting and installation

Quick installation system on the magnetar track using magnets, that embedded in luminaire