

MAGNETAR ANGLE LINEAR 2CM

LED_Low voltage family IP20 IK05



T_a25

5



THE FAMILY OF LIGHT ANGLE DOT LINEAR LED OPERATING AT 12W, 48 VDC INPUT. DELIVERING OUT STANDING PERFORMANCE OF 1200LM.

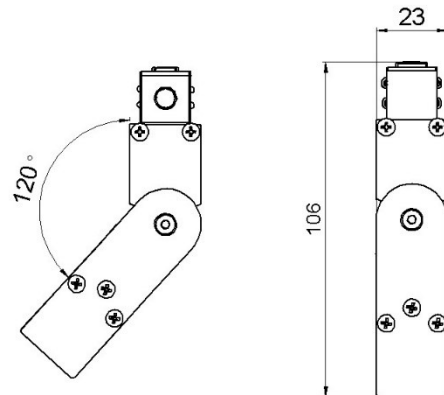
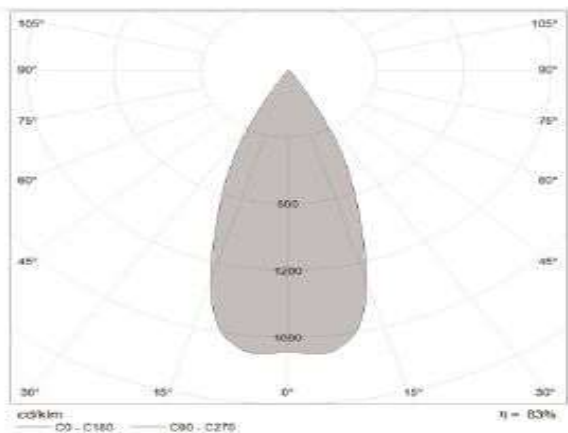
Technical description

Magnetic track Angle Dot linear luminaire with several optic element makes an impact with their streamlined design and generate base lighting that illuminate's objects and rooms especially evenly. This light can be rotated 350 degrees. Body material is extruded aluminum and diffuser is UGR<19. Quick installation system on the track using magnets. Class I electrical, IP20 (IP54 only for option). Total power: 12 w. (DALI control an option only). LED color temperature is 3000-6000 kelvin (warm white). Chromaticity tolerance (initial Macadam: 3). Color rendering Ra>80. Product can be produced in 400, 600 ,800 ,1000 mm.



Application

- Decorative
- Art gallery
- Hotel
- Office
- House



Correlated color temperature: 3000-6000 kelvin
Rated median useful life: 50000h L70 at 25°C
Luminaire input power: 12 w

Dimensions: 23 x 106 x 400 mm (600 ,800 , 1000 mm)
Total power: 12 w (18 ,24 ,30w)
Luminaire luminous flux: 1200 lm (1800, 2400, 3000 lm)
Luminaire efficacy: 100 lm/w
Weight: 0.7 kg

Mounting and installation

Quick installation system on the track using magnets. That embedded in luminaire