

# Emergency Neptune

LED\_Low voltage family IP65 IK05



T<sub>a</sub>25

5

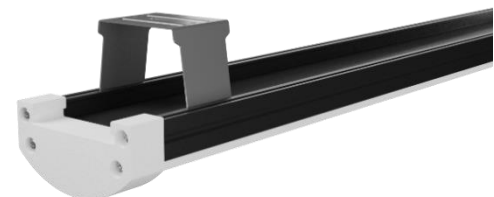


THE FAMILY OF WALL MOUNT, SURFACE MOUNT AND PENDANT INDRUSTIAL LINEAR OPERATING AT 35W/M & 15W/M FOR EMERGENCY LINE, 220-240 VAC INPUT.DELIVERING OUT STANDING PERFORMANCE OF 4200LM/M.

## Technical description

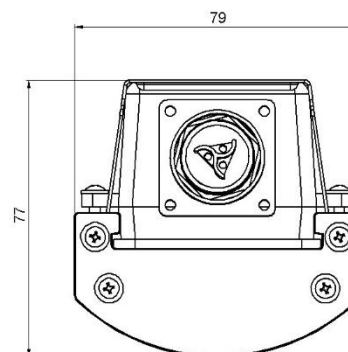
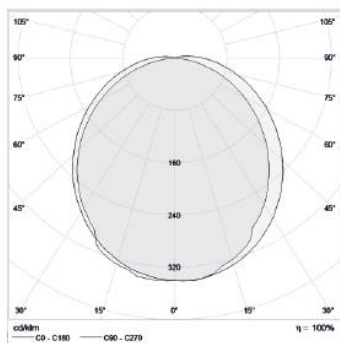
Surface mount and emergency system for indoor general lighting. for cases where providing emergency lighting with appropriate light intensity and long duration during power outage by showing the way out is the main criteria for choosing this lamp. Luminaire for indoor architectural linear lighting with LED color temperature is 3000-6000 kelvins with a 1 hours' battery and maintained electronic converter and power for emergency line is 15w/m.

Anodize aluminum body and polycarbonate cover material. Suitable for use in ambient temperatures ranging from -25°C to 50°C. Choice of color temperature: 3000 – 6000 kelvin. installation flexibility and length. IP65 [dust penetration-protected, jet-proof] wide-beam angle light distribution.



## Application

- Parking garages
- Storeroom
- General lighting
- Hospital



Correlated color temperature: 3000 – 6000 kelvin  
Rated median useful life: 50000h L70 at 25°C Luminaire  
input power: 35 w normal & 15w emergency line

Dimensions: 1000 x 79 x 77 mm  
Total power: 35 w & 15w emergency line  
Luminaire luminous flux: 4200 lm  
Luminaire efficacy: 120 lm/w  
Weight: 3 kg

## Installation and Mounting

Flexible mounting system for the easy replacement of traditional luminaires. Plug-and-play connector and mounting clips with adjustable position for the easy replacement of old fixtures.