

CIRCULAR MAGNETAR TRACK 4CM

LED_Low voltage family



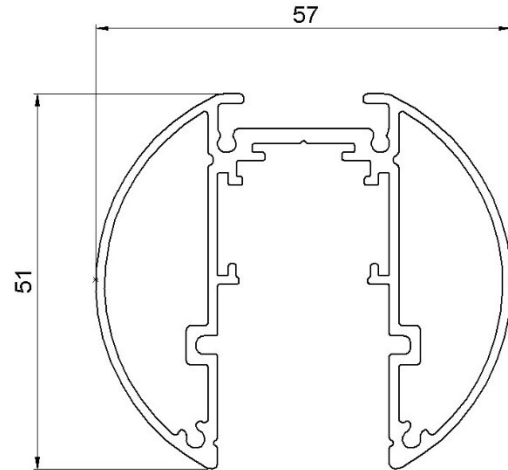
Technical description

48V low voltage magnetic track for pendant and surface applications with no contact frame. Designed to house lighting elements fitted with a 48V adaptor. Made of anodized extruded aluminum, and body color is black. The integrated circuit, designed to interact with the AC/DC driver included in the adapters drivers to be ordered separately. To obtain continuous lines, direct and corner joints are available with separate codes. 4 kg (max) load every 1m, with maximum distance of 200 mm between fixing points. This rail is the base for installing all kinds of magnetic family lights such as spotlights, pendant light, tube light and (DALI dimming & Wi-Fi control just for options).



Application

- Decorative
- Art gallery
- Hotel
- Office
- House



Dimensions: 4000 x 57 x 51 mm
Max voltage: 48 V, 10 A
Max wattage: 200 W
Weight: 6 kg

Mounting and installation

Pendant and surface mounted. Direct and corner joints are available.