

LED\_Linear Family

IP20

IK05



T<sub>a</sub>25



THE FAMILY OF RECESSED MOUNT (CEILING & WALL) BACK LIGHT LED LINEAR OPERATING AT 25W/M 220-240 VAC INPUT. DELIVERING OUT STANDING PERFORMANCE OF 2500LM/M.

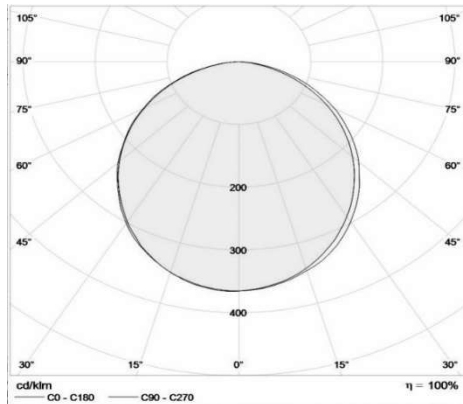
## Technical description

Recessed linear system of medium dimensions, suitable for general light, PC diffuser, which provide a continuous and homogeneous light line. Color temperature is 3000-6000 K. Class I electrical and IP20 (IP54 just for option), with plug and play connector. Total power: 25 w/m (slave Luminaires for DALI control an option only with LED converter). Color rendering index: Ra>80. Chromaticity tolerance between multiple luminaires of up to 3 Macadam ellipses. product can be produced in 60, 120, 160, 180 and 220 mm. This product can produce as driver on board.

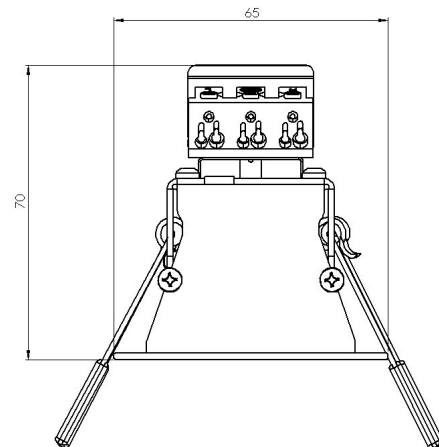


## Application

- Decorative
- Art gallery
- Hotel
- Office
- House



Correlated color temperature: 3000 – 6000 kelvin  
 Rated median useful life: 50000h L70 at 25°C Luminaire  
 input power: 25 w/m



Dimensions: 1000 x 65 x 70 mm  
 Total power: 25 w  
 Luminaire luminous flux: 2500 lm  
 Luminaire efficacy: 100 lm/w  
 Weight: 1.3 kg

## Mounting and installation

Recessed (ceiling and wall) using spring bracket. **Cut-out diameters: 55 mm**